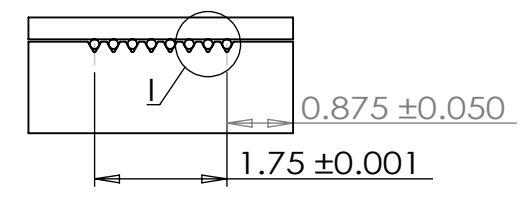
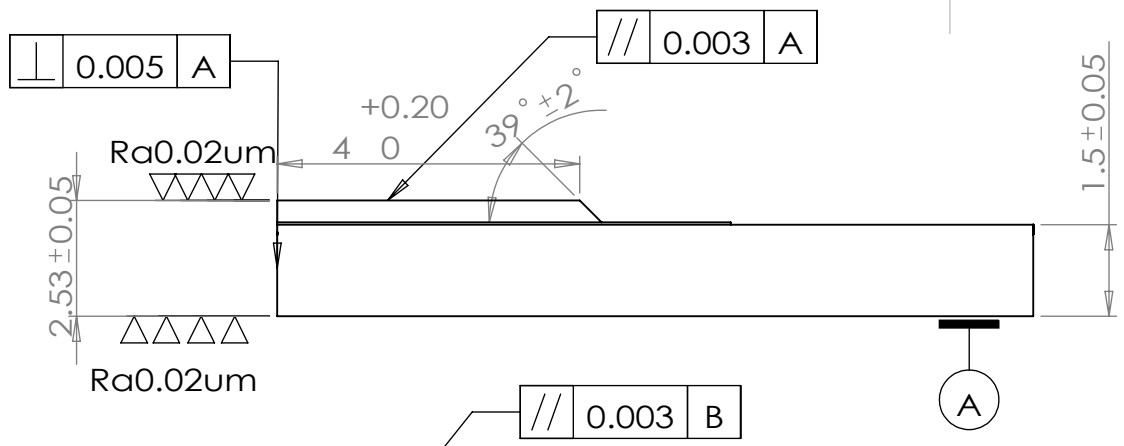


1 2 3 4 5 6

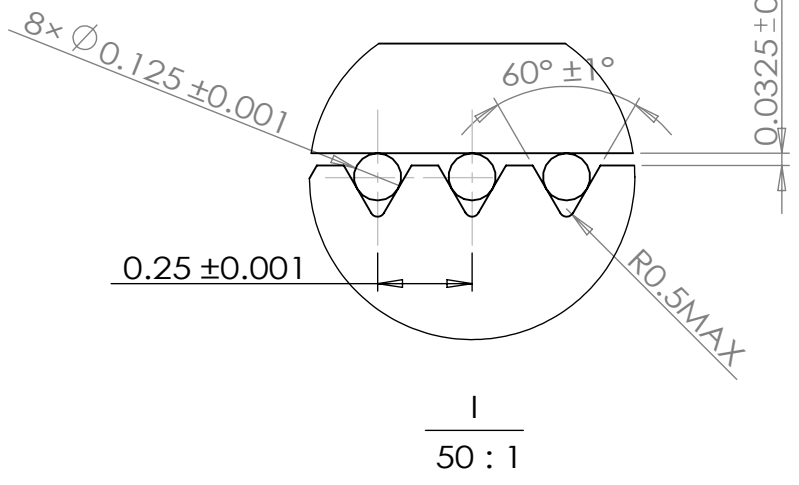
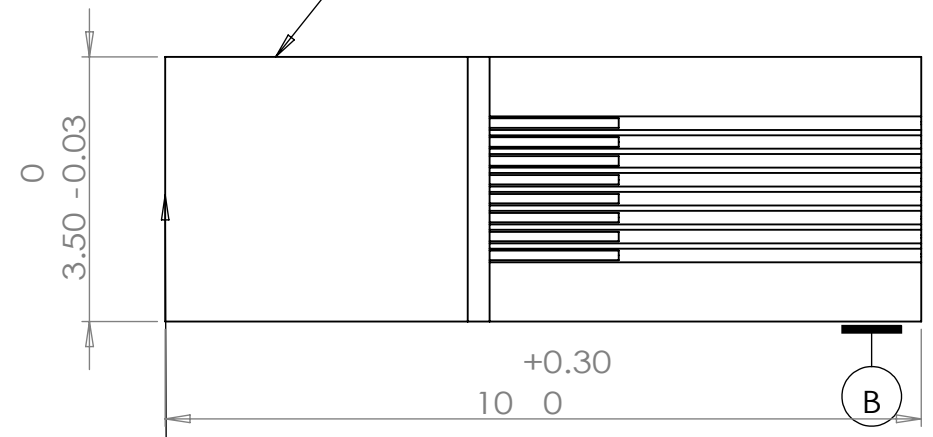
A

A



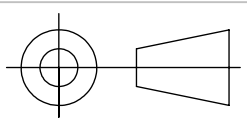
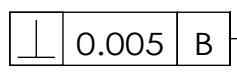
B

B



C

C



FINISH: N/A

DEBUR AND BREAK SHARP EDGES

DO NOT SCALE DRAWING

REVISION

	NAME	DATE	PART NO.	
DRAWN			QTY	MM
CHK'D				
APPV'D				
MFG				
Q.A			MATERIAL:	
			WEIGHT:	

TITLE:	
DWG. NO.	A4
SCALE: 10:1	SHEET 1 OF 1

1

2