

## Broadband Polarizing Beamsplitter Cube

### Product Description:

A polarizing beamsplitter cube splits randomly polarized beams into two orthogonal, linearly polarized components. S-polarized light is reflected at a 90 degree angle while P-polarized light is transmitted.

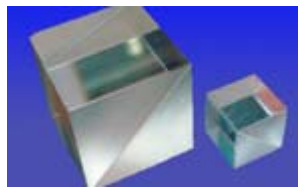


Figure 1: Broadband polarizing beamsplitter cubes

### Specifications:

Material	SF2
Dimensional Tolerance	$\pm 0.2\text{mm}$
Flatness	$\lambda/4 @ 632.8\text{nm}$
Surface Quality	40~20
Clear Aperture	>90%
Beam Deviation	<3 arc minutes
Extinction Ratio	> 100:1
Transmittance	$T_p > 95\%$ and $T_s < 1\%$
Reflectance	$R_s > 99\%$ and $R_p < 5\%$
Wavelength Options	450~650nm 650~900nm 900~1200nm 1200~1500nm
AR coating	Broadband AR coating on all input and output surfaces

### Black Anodized Aluminum Mount Dimensions

The mount is an example for 12.7X12.7X12.7mm beamsplitter cube. Custom dimensions and shape are available upon request.

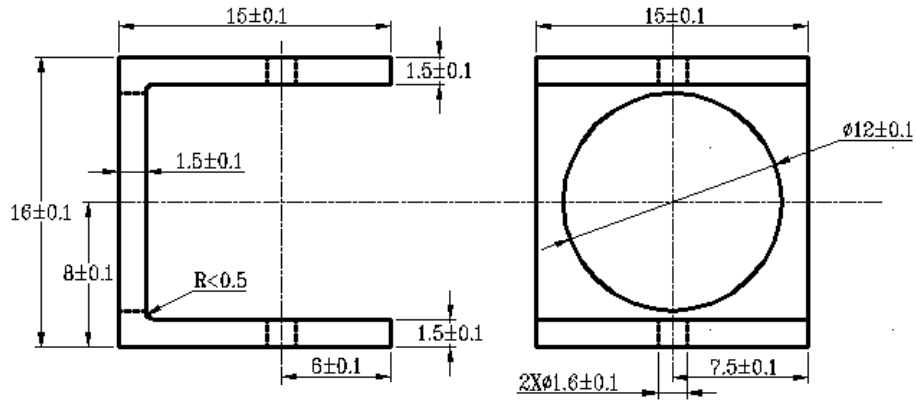
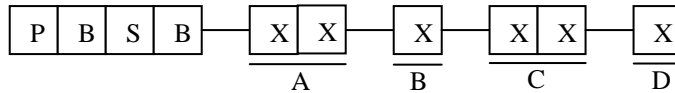


Figure 2: beamsplitter cube mount dimensions

### Ordering Information:



A	Wavelength	01 = 450~650nm
		02 = 650~900nm
		03 = 900~1200nm
		04 = 1200~1500nm
		00 = Special
B	Material	1 = SF2
		0 = Special
C	Dimensions	01 = 2mm(L)X2mm(W)X2mm(H)
		Check Standard Size Table Below
		00 = Custom Dimensions
D	Mount	1=Yes
		0=No

### Standard Size Table:

Dimension P/N	Length L (mm)	Width W (mm)	Height H (mm)
01	2.0	2.0	2.0
02	5.0	5.0	5.0
03	10.0	10.0	10.0
04	12.7	12.7	12.7
05	15.0	15.0	15.0
06	20.0	20.0	20.0

